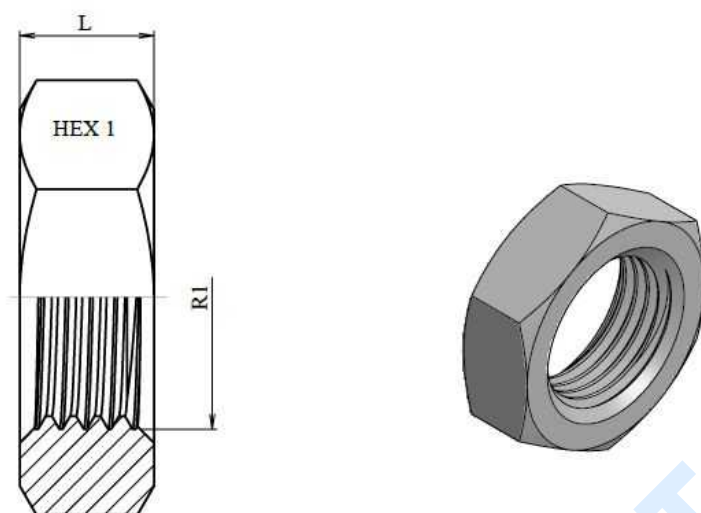


Adaptadores BSP

Uniones hembra y pasatabiques

Tuerca pasatabiques BSP

Acero Inoxidable AISI 316-L



Artículo	R1	L	HEX 1
Z116104	1/4" BSP	7	19
Z116106	3/8" BSP	7	22
Z116108	1/2" BSP	8	27
Z116112	3/4" BSP	9	32
Z116116	1" BSP	11	41
Z116120	1" 1/4 BSP	13	50
Z116124	1" 1/2 BSP	15	55
Z116132	2" BSP	20	70